

Spare Parts for Valves and Fill Cluster

Type 28312 - Topwork Angle Type



for Cryogenic-Globe Valves Angle Type

Bronze topwork

"live loaded" gland packing

"cleaned and degreased for oxygen service"

Part No. 28312.X.0010 (H=270mm)

Part No. 28312.X.0020 (H=370mm)

Part No. 28312.X.5010 (H=270mm) with check function

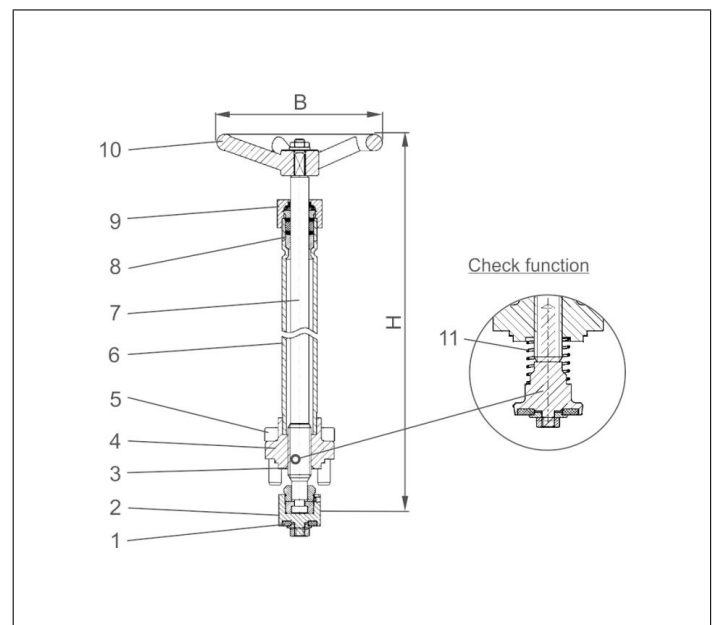
Part No. 28312.X.5020 (H=370mm) with check function

suitable for:

Type	Nominal size
01322	DN15 - DN50
07003 - only angled valves	DN25 & DN40
07004 - only angled valves	DN25 & DN40
07015 - only angled valves	DN25 & DN40



Materials	DIN EN	ASTM
1 Valve seal	PTFE / Carbon filled (25%)	
2 Disc	CW614N B 283 UNS C38500	
3 Bonnet gasket	PTFE	
4 Headpiece	CC493K B 505 UNS C93200	
5 Bolts	1.4301/A2 A 194 B8	
6 Elongation tube	1.4541 A 213 TP 321	
7 Stem	1.4301 A 276 Grade 304	
8 Gland packing	Graphite / PTFE	
9 Gland nut	CW614N B 283 UNS C38500	
10 Handwheel	Aluminium alloy	
11 Spring	CW452K B 159 UNS C51900	



Type 28312	Technical data							in preparation		
Nominal size	DN	15	20	25	32	40	50	80	100	
Dimension code	.X.	0150	0200	0250	0320	0400	0500	-	-	
Height	H	270 mm or 370 mm							-	-
Number of bolts		4	4	4	4	4	6	-	-	
Handwheel-Ø	B	100	100	100	125	125	125	-	-	
Weight	ca. kg	1.1	1.4	1.4	2.0	2.4	3.0	-	-	

Dimensions in mm.