

Accessories for free blow off Safety Valves

Type 55177 - Protection Cap

HEROSE



for safer discharge of the mass flow
from free blow off safety valves

Types: 06216, 06217, 06218, 06219, 06226, 06227

Material: polycarbonate (PC), UV resistant

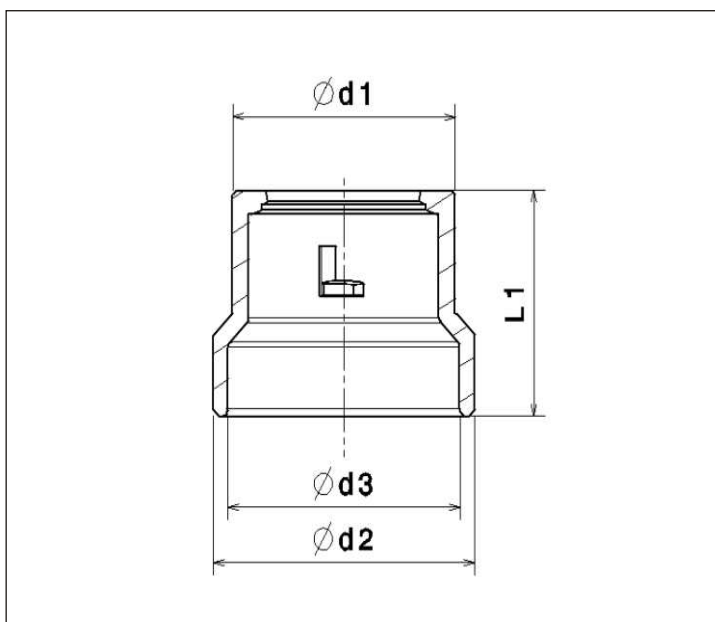
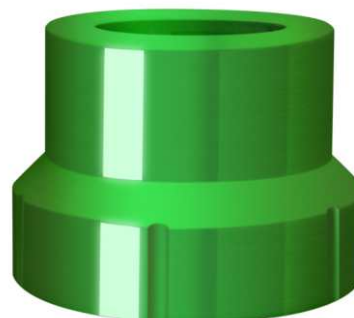
max.temperature range: -60°C - +130°C

incl. locking pin

Article-No. 55177.X.0874G

Available options - on request only:

· other colors + customer logo



Type 55177	Technical Data						
for Nominal size	GW	1/2	3/4	1	1-1/4	1-1/2	2
Dimension code	.X.	0087	0088	0089	0090	0091	0092
Height	L1	30.6	36.6	44.2	53.3	64.0	79.5
Diameter	d ₁	35.5	41.9	51.9	62.2	69.3	87.8
Diameter	d ₂	41.4	49.0	62.5	74.8	86.0	109.0
Diameter	d ₃	36.5	43.5	56.5	67.8	77.8	99.0
maximum set pressure of Safety Valve	bar	30.0	15.0	20.0	22.0	16.0	6.0
	PSI	435.0	217.0	290.0	319.0	232.0	57.0

Dimensions in mm.