



Cryogenic Safety Valves, angle type, stainless steel, PN63, type tested TÜV-SV. 1048. S/G

Standard safety valve,
with carbon filled PTFE valve seal, open bonnet
Outlet: female thread Rc 3/8 acc. to ISO 7/1
"cleaned and degreased for oxygen service"

Part No. 06012.X.0000

Part No. 06016.X.0000 (with lifting device)

Inlet: male thread type R (BSPT) acc. to ISO 7/1

Part No. 06012.X.2000

Part No. 06016.X.2000 (with lifting device)

Inlet: male thread type G (BSPP) acc. to ISO 228/1

Part No. 06012.X.5000

Part No. 06016.X.5000 (with lifting device)

Inlet: male thread NPT acc. to ANSI B 1.20.1



Available options- on request only:

· with installed elbow at the outlet

Applications:

Provided as safety device for protection against thermal expansion in pipeworks and parts of facilities.

Approved for air gases, vapours and cryogenic liquefied gases incl. LNG.

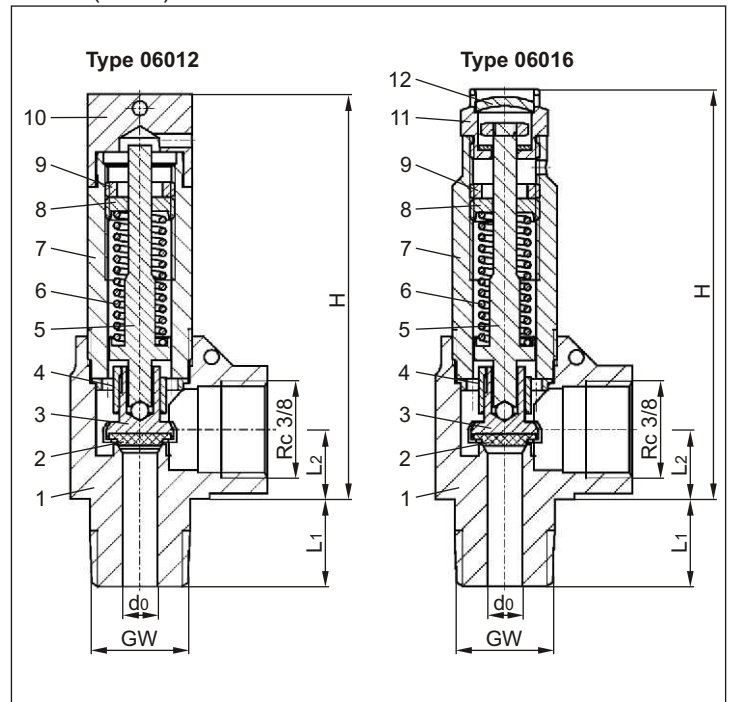
Working temperature: -196°C / -321°F (77K) up to +150°C / +302°F (423K)

Materials	DIN EN	ASTM
1 Body	1.4408	A 351 CF8M
2 Valve seal	PTFE / Carbon filled (25%)	
3 Disc	1.4301	A 276 Grade 304
4 Guide plate	1.4301	A 276 Grade 304
5 Stem	1.4301	A 276 Grade 304
6 Spring	1.4571	A 276 Grade 316Ti
7 Bonnet	1.4301	A 276 Grade 304
8 Spring clamp	1.4305	A 276 Grade 303
9 Thread ring	1.4305	A 276 Grade 303
10 Cap	1.4301	A 276 Grade 304
11 Lifting device	1.4305	A 276 Grade 303
12 Closing cap	1.4305	A 276 Grade 303

Essential: Valves are delivered at a set pressure, therefore when ordering please confirm set pressure, medium and temperature.

Standard marking acc. to Pressure Equipment Directive 97/23/EC (PED).

Marking acc. to Directive 99/36/EG (TPED) will only be carried out by written notice on purchase order.



Technical data	Type 06012			Type 06016			
	Nominal size	GW					
Nominal size	GW	1/4	3/8	1/2	1/4	3/8	1/2
Orifice	d ₀	6.0	6.0	6.0	6.0	6.0	6.0
Dimension code	.X.	0200	0300	0400	0200	0300	0400
Set pressure range	bar	1.0-55.0	1.0-55.0	1.0-55.0	1.0-55.0	1.0-55.0	1.0-55.0
Height	H	70	70	70	72	72	72
Length	L ₁	13	15	17	13	15	17
Length	L ₂	13	13	13	13	13	13
Weight	ca. kg	0.185	0.20	0.22	0.18	0.195	0.21
Coeff. of disch. from 3.0 bar	α _w	0.42	0.42	0.42	0.42	0.42	0.42

Dimensions in mm.

Safety Valves

Type 06012, Type 06016

HEROSE



Discharge capacities

Calculation of mass flow acc. to AD2000-Merkblatt A2 / DIN EN ISO 4126-1

Medium:

Air in m³/h at 0°C and 1013.25 mbar

The capacity indicated below is for a fully opened valve.

d₀ - orifice

A₀ - flow area

Set pressure in bar (ü)	GW	1/4	3/8	1/2
	d ₀ (mm)	6.0		
	A ₀ (mm ²)	28.3		
	Medium	Air		
1.0			15.5	
2.0			26.0	
3.0			34.9	
4.0			43.8	
5.0			52.6	
6.0			61.5	
7.0			70.4	
8.0			79.3	
9.0			88.2	
10.0			97.1	
12.0			114.9	
14.0			132.7	
16.0			150.4	
18.0			168.2	
20.0			186.0	
22.0			203.8	
24.0			221.6	
26.0			239.4	
28.0			257.1	
30.0			274.9	
32.0			292.7	
34.0			310.5	
36.0			328.3	
38.0			346.1	
40.0			363.8	
42.0			381.6	
44.0			399.4	
46.0			417.2	
48.0			435.0	
50.0			452.7	
52.0			470.5	
54.0			488.3	
55.0			497.2	