

Safety Valves

Type 06011

HEROSE



Cryogenic Safety Valves, angle type, stainless steel, PN63, type tested TÜV-SV. 1048. S/G/L

Standard safety valve,
complete with carbon filled PTFE valve seal, closed bonnet
Outlet: female thread Rc 3/8 acc. to ISO 7/1
"cleaned and degreased for oxygen service"

Part No. 06011.X.0000

Inlet: male thread type R (BSPT) acc. to ISO 7/1

Part No. 06011.X.2000

Inlet: male thread type G (BSPP) acc. to ISO 228/1

Part No. 06011.X.5000

Inlet: male thread NPT acc. to ANSI B 1.20.1

Available options - on request only:

- with installed elbow at the outlet



Applications:

Provided as safety device for protection against thermal expansion in pipeworks and parts of facilities.
Approved for air gases, vapours and cryogenic liquefied gases incl. LNG.
Working temperature: -196°C / -321°F (77K) up to +65°C / +149°F (338K)

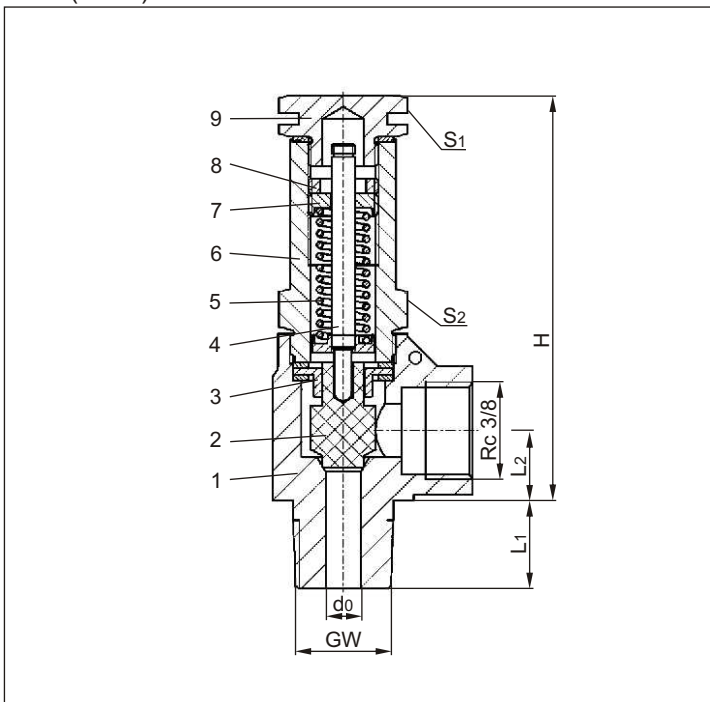
Materials	DIN EN	ASTM
1 Body	1.4408	A 351 CF8M
2 Disc	PTFE / Carbon filled (25%)	
3 Guide plate	1.4301	A 276 Grade 304
4 Stem	1.4301	A 276 Grade 304
5 Spring	1.4571	A 276 Grade 316Ti
6 Bonnet	1.4301	A 276 Grade 304
7 Spring clamp	1.4305	A 276 Grade 303
8 Thread ring	1.4305	A 276 Grade 303
9 Cap	1.4301	A 276 Grade 304

Essential: Valves are delivered at a set pressure, therefore when ordering please confirm set pressure, medium and temperature.

Standard marking acc. to Pressure Equipment Directive 97/23/EC (PED).



Marking acc. to Directive 99/36/EG (TPED) will only be carried out by written notice on purchase order.



Type 06011	Technical data			
Nominal size	GW	1/4	3/8	1/2
Orifice	d ₀	6.0	6.0	6.0
Dimension code	.X.	0200	0300	0400
Set pressure range	bar	5.0-55.0	5.0-55.0	5.0-55.0
Height	H	70	70	70
Length	L ₁	13	15	17
Length	L ₂	13	13	13
Wrench size across flats	S ₁	19	19	19
Wrench size across flats	S ₂	19	19	19
Weight	ca. kg	0.18	0.195	0.21
Coefficient of discharge	α _w	0.09	0.09	0.09

Dimensions in mm.

Safety Valves

Type 06011

HEROSE



Discharge capacities

Calculation of mass flow acc. to AD2000-Merkblatt A2 / DIN EN ISO 4126-1

Medium:

Air in m³/h at 0°C and 1013.25 mbar

Water in kg/h

The capacity indicated below is for a fully opened valve.

d₀ - orifice

A₀ - flow area

Set pressure in bar (ü)	GW	1/4	3/8	1/2	1/4	3/8	1/2
	d ₀ (mm)	6.0			6.0		
	A ₀ (mm ²)	28.3			28.3		
	Medium	Air			Water		
5.0		11.3			304		
6.0		13.2			333		
7.0		15.1			359		
8.0		17.0			384		
9.0		18.9			407		
10.0		20.8			429		
12.0		24.6			470		
14.0		28.4			508		
16.0		32.2			543		
18.0		36.0			576		
20.0		39.9			607		
22.0		43.7			637		
24.0		47.5			665		
26.0		51.3			692		
28.0		55.1			718		
30.0		58.9			744		
32.0		62.7			768		
34.0		66.5			792		
36.0		70.3			814		
38.0		74.2			837		
40.0		78.0			859		
42.0		81.8			880		
44.0		85.6			900		
46.0		89.4			921		
48.0		93.2			940		
50.0		97.0			960		
52.0		100.8			979		
54.0		104.6			998		
55.0		106.5			1007		